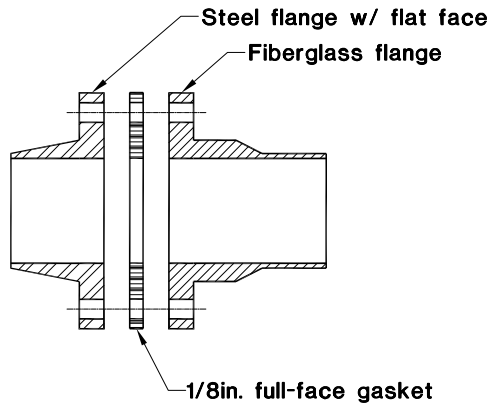
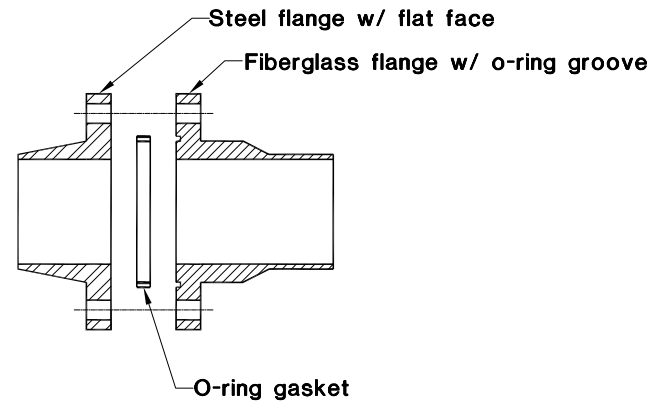
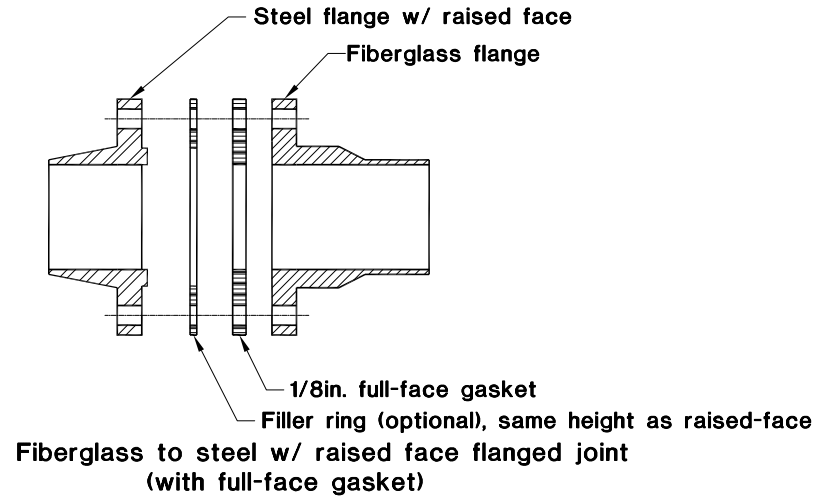


**DO NOT DUPLICATE**

This print and its contents are the property of ITT Corporation. Use of print or its contents is prohibited unless authorized in writing.



**Fiberglass to steel w/ flat face flanged joint  
(with full-face gasket)**



**Fiberglass to steel w/ flat-face flanged joint  
(with o-ring gasket)**

**NOTE:**

1. O-ring gaskets are typically recommended for 200psig rated systems. Buna-N is an acceptable material.
2. SBR (Styrene-Butadiene) "red rubber" gaskets are typically recommended for 150psig rated systems.
3. SBR or Neoprene gaskets may be used for systems at 100psig or lower.
4. If the flange is raised-face, then a full-face gasket would be used, even in a 200psig rated system. O-ring gaskets are not to be used against raised-face flanges.

**FIBERBOND®**

FIBERGLASS AND ADVANCED COMPOSITE PIPING SYSTEMS

Manufactured by Specialty Plastics  
Baton Rouge, LA, U.S.A.

<b>SCALE:</b>	NONE	<b>DRAWING:</b>	Flange Connections #2
<b>DRAWN:</b>	KGS	<b>FILENAME:</b>	IS-E10-FLG2
<b>CH'KD:</b>	KGS	<b>REV:</b>	R0 - Jan-19-2001