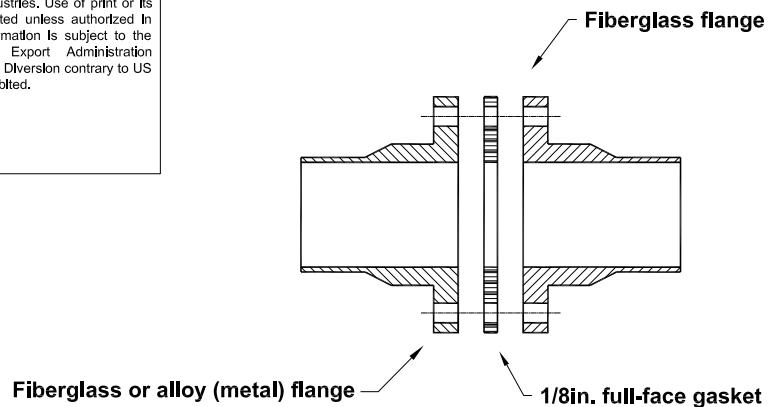
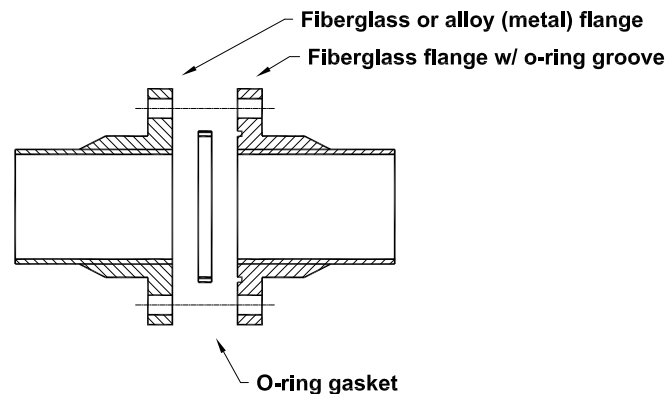


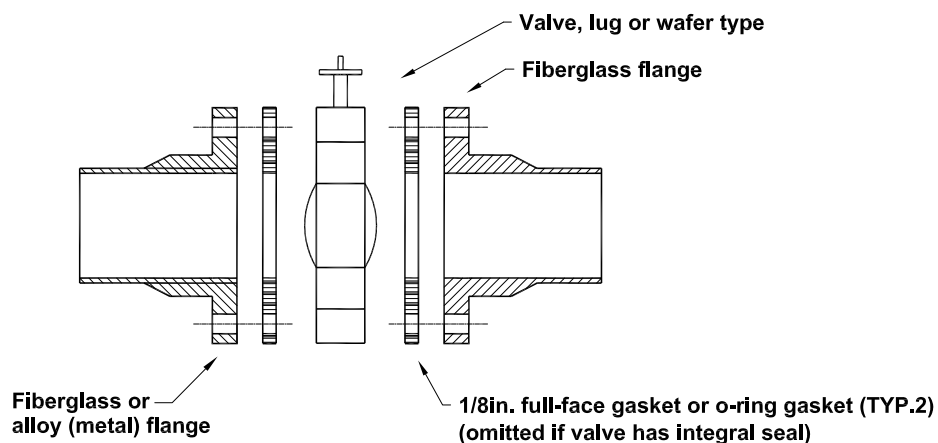
This print and its contents are the property of Future Pipe Industries. Use of print or its contents is prohibited unless authorized in writing. This information is subject to the controls of the Export Administration Regulations (EAR). Diversion contrary to US Law is strictly prohibited.



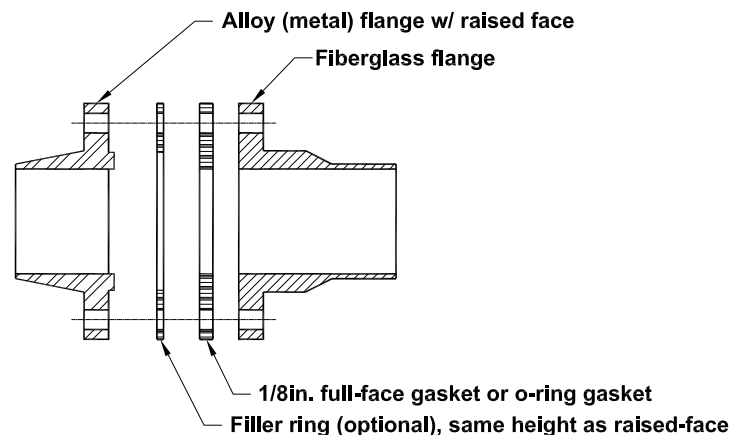
**Flanged joint (both sides flat-face)  
(with full-face gasket)**



**Flanged joint (both sides flat-face)  
(with o-ring gasket)**



**Flanged joint with valve**



**Fiberglass to alloy w/ raised face flanged joint**

**FIBERBOND®**

ENGINEERED COMPOSITE PIPING SYSTEMS  
Manufactured by Future Pipe Industries, Inc.  
Baton Rouge, LA, U.S.A.

www.fiberbond.com, www.futurepipe.com

SCALE: NONE

DRAWING: Flange Connections #1

DRAWN: KGS

FILENAME: IS-E10-FLG1

CH'KD: KGS

REV: R1 - May-06-2015