

Information in this drawing is of a general nature. Detailed design information (part thickness, load ratings, etc.) are not part of this drawing. User should consult the manufacturer of the pipe support for detailed design information and proper selection of the pipe support for the application.

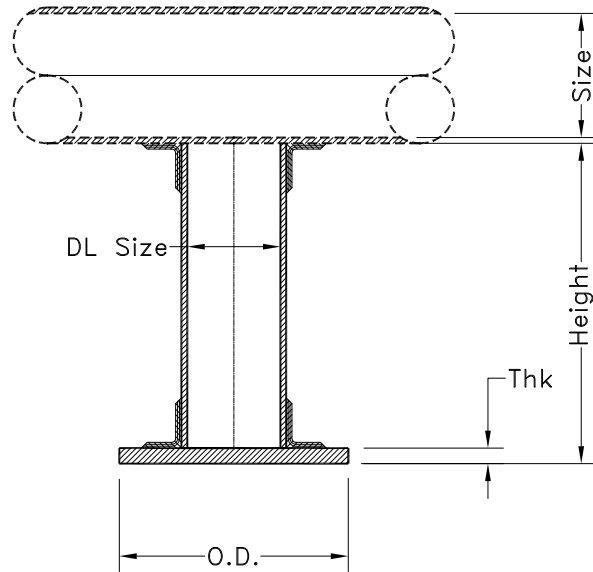


FIG.91 (shop fab'd to a tee or pipe)

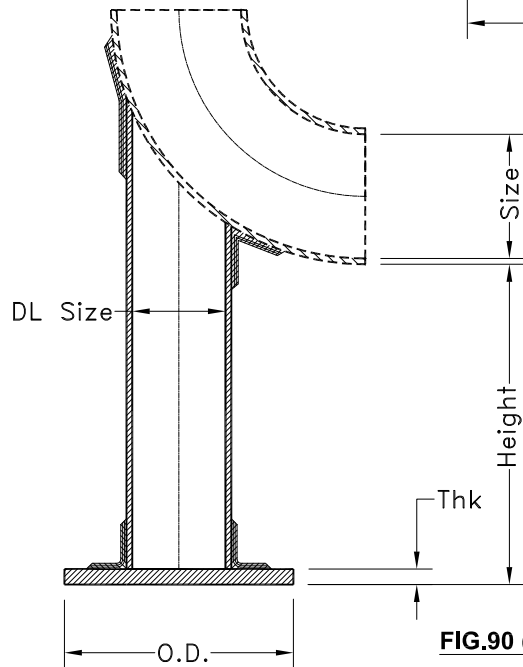


FIG.90 (shop fab'd to an elbow)

Nominal Pipe Size	DL Size	O.D.	Thk
2" (DN50)	2"	5" 127mm	1/2" 12.5mm
3" (DN80)	2"	5" 127mm	1/2" 12.5mm
4" (DN100)	3"	6" 152mm	1/2" 12.5mm
5" (DN125)	3"	6" 152mm	1/2" 12.5mm
6" (DN150)	4"	7" 178mm	1/2" 12.5mm
8" (DN200)	6"	9" 229mm	1/2" 12.5mm
10" (DN250)	6"	9" 229mm	1/2" 12.5mm
12" (DN300)	8"	12" 305mm	1/2" 12.5mm
14" (DN350)	10"	14" 356mm	1/2" 12.5mm
16" (DN400)	12"	16" 406mm	1/2" 12.5mm
18" (DN450)	14"	18" 457mm	1/2" 12.5mm
20" (DN500)	18"	22" 559mm	1/2" 12.5mm
24" (DN600)	18"	22" 559mm	1/2" 12.5mm
30" (DN750)	24"	28" 711mm	3/4" 19mm
36" (DN900)	24"	28" 711mm	3/4" 19mm
42" (DN1050)	36"	40" 1016mm	3/4" 19mm
48" (DN1200)	36"	40" 1016mm	3/4" 19mm
54" (DN1350)	48"	52" 1321mm	3/4" 19mm
60" (DN1500)	48"	52" 1321mm	3/4" 19mm

- NOTE 4. Fig.90 and Fig.91 are identical except Fig.91 is on a tee or pipe.
- NOTE 3. Maximum recommended length of dummy leg is 3'-0" (914mm).
- NOTE 2. Plate to be shipped loose and field installed. 6" of trim to be included.
- NOTE 1. Dummy leg to be of the same material as the pipe.

This print and its contents are the property of Future Pipe Industries. Use of print or its contents is prohibited unless authorized in writing. This information is subject to the controls of the Export Administration Regulations (EAR). Diversion contrary to US Law is strictly prohibited.

FIBERBOND®
 ENGINEERED COMPOSITE PIPING SYSTEMS
 Manufactured by Future Pipe Industries
 www.fiberbond.com Baton Rouge, LA, U.S.A.

FRP "DUMMY LEG"
 FIG.90 - GENERAL DETAIL

REV: 2