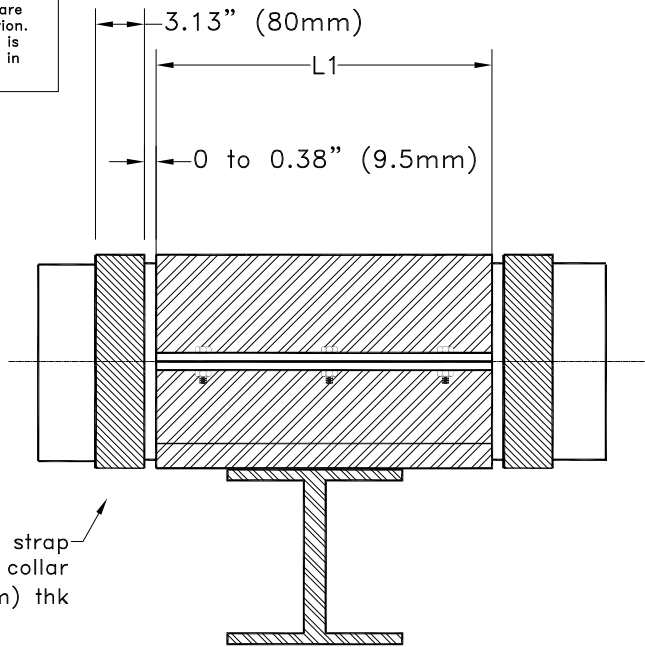
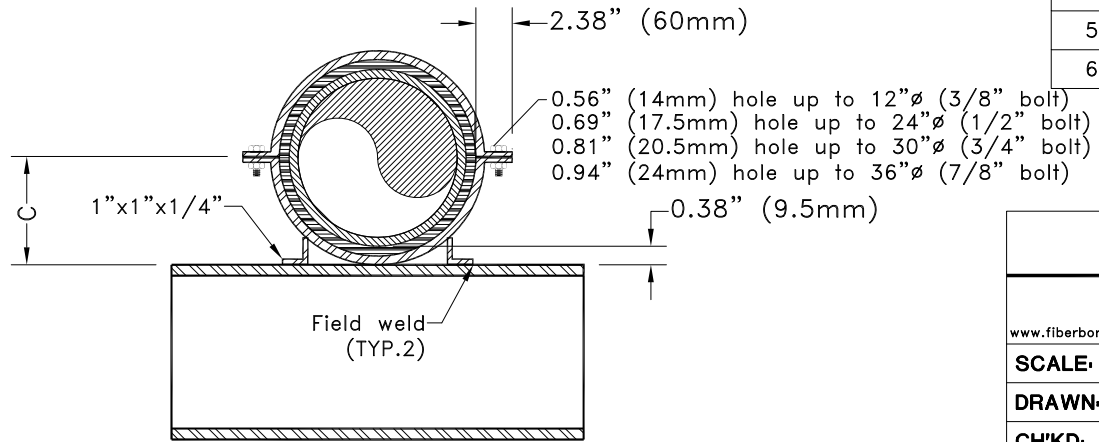


DO NOT DUPLICATE
 This print and its contents are the property of ITT Corporation. Use of print or its contents is prohibited unless authorized in writing.



SIDE



ELEV

- NOTE 5. Average O.D. is typically 0.03" to 0.10" larger than the nominal O.D.
- NOTE 4. C = 0.5 * Nominal O.D. + 0.38in.
- NOTE 3. Steel saddle includes 1/8in. thick neoprene liner.
- NOTE 2. 0.38in. (9.5mm) dimension is from T.O.S. to B.O.P.
- NOTE 1. Thrust collar may need to be larger depending upon design conditions.

Nominal Pipe Size	Nominal O.D.	L1	C
2"		6" 152mm	
3"		6" 152mm	
4"		6" 152mm	
6"		8" 203mm	
8"		10" 254mm	
10"		12" 305mm	
12"		12" 305mm	
14"		12" 305mm	
16"		12" 305mm	
18"		16" 406mm	
20"		16" 406mm	
24"		16" 406mm	
30"		20" 508mm	
36"		20" 508mm	
42"			
48"			
54"			
60"			

FIBERBOND®
 FIBERGLASS AND ADVANCED COMPOSITE PIPING SYSTEMS
 Manufactured by Specialty Plastics
 Baton Rouge, LA, U.S.A.

www.fiberbond.com

SCALE:	NONE	BATCH:	
DRAWN:	KGS	D061095	
CH'KD:	KGS	C061195	
		DRAWING:	FIGURE 232
		FILENAME:	FIG232
SUPPORT TYPE:	SMALL STEEL SHOE W/ THRUST COLLARS		
SUPPORT GROUP:	ANCHOR		
FIGURE NUMBER:	FIGURE 232		

REV
3