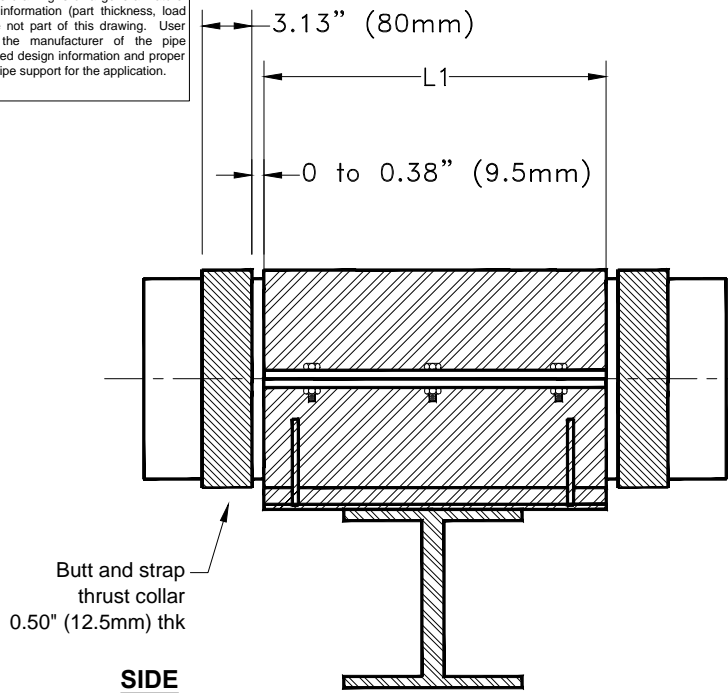
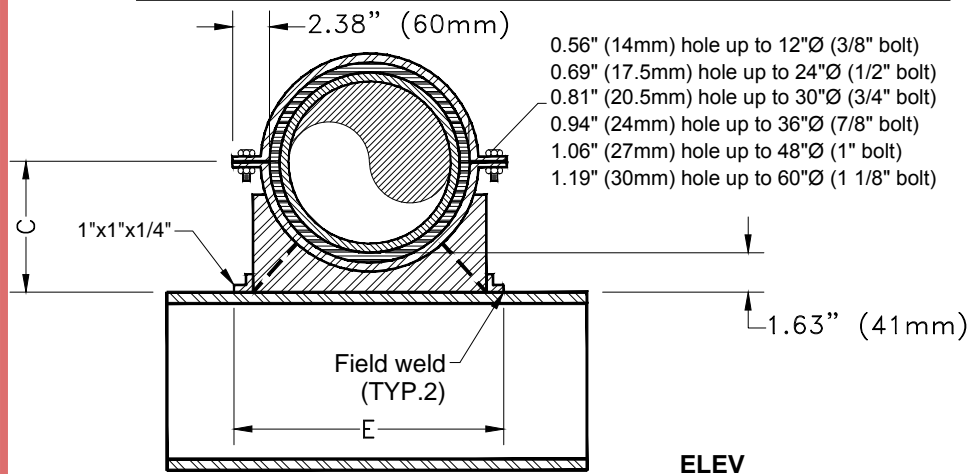


Information in this drawing is of a general nature. Detailed design information (part thickness, load ratings, etc.) are not part of this drawing. User should consult the manufacturer of the pipe support for detailed design information and proper selection of the pipe support for the application.



Nominal Pipe Size	Nominal O.D.	L1	C	E
6" (DN150)		8" 203mm		12.00" 305mm
8" (DN200)		10" 254mm		14.00" 356mm
10" (DN250)		12" 305mm		16.00" 406mm
12" (DN300)		12" 305mm		18.00" 458mm
14" (DN350)		12" 305mm		20.25" 514mm
16" (DN400)		12" 305mm		22.25" 565mm
18" (DN450)		16" 406mm		24.50" 622mm
20" (DN500)		16" 406mm		26.50" 673mm
24" (DN600)		16" 406mm		30.75" 781mm
30" (DN750)		20" 508mm		37.25" 946mm
36" (DN900)		20" 508mm		43.50" 1105mm
42" (DN1050)		24" 610mm		49.50" 1257mm
48" (DN1200)		24" 610mm		56.00" 1422mm
54" (DN1350)				
60" (DN1500)		24" 610mm		68.00" 1727mm



NOTE 5. Average O.D. is typically 0.03" to 0.10" larger than the nominal O.D.
 NOTE 4. C = 0.5 * Nominal O.D. + 1.63in.
 NOTE 3. Steel saddle includes 1/8in. thick neoprene liner.
 NOTE 2. 1.63in. (41mm) dimension is from T.O.S to B.O.P.
 NOTE 1. Thrust collar may need to be larger depending upon design conditions.

FIBERBOND®
 ENGINEERED COMPOSITE PIPING SYSTEMS
 Manufactured by Future Pipe Industries
 www.fiberbond.com Baton Rouge, LA, U.S.A.

This print and its contents are the property of Future Pipe Industries. Use of print or its contents is prohibited unless authorized in writing. This information is subject to the controls of the Export Administration Regulations (EAR). Diversion contrary to US Law is strictly prohibited.

STEEL ANCHOR
 FIG.230 - GENERAL DETAIL

REV: 3