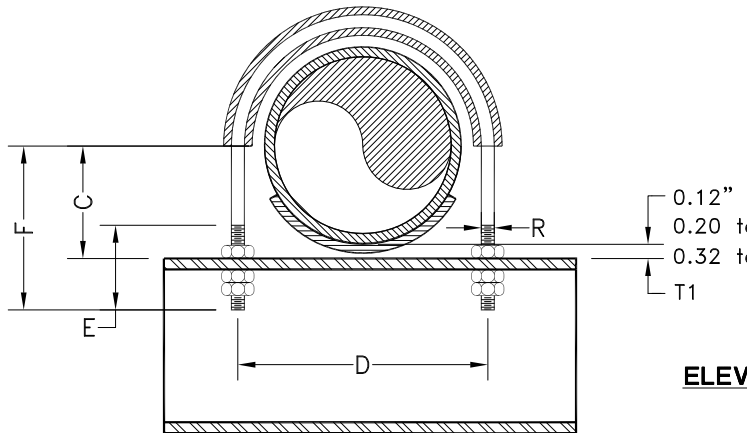
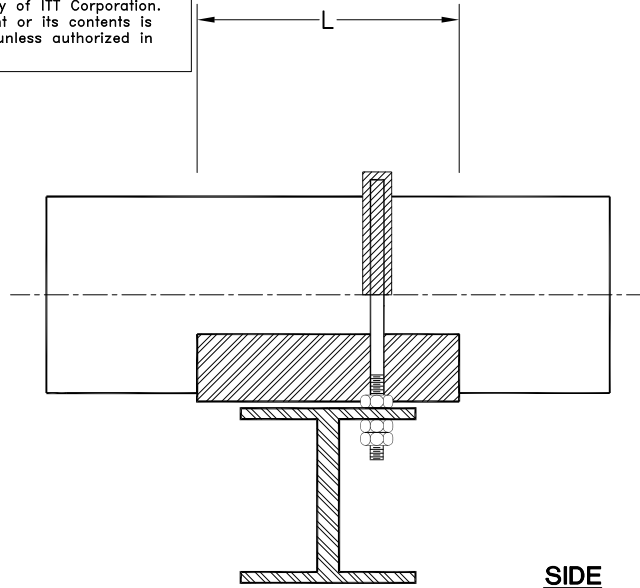


**DO NOT DUPLICATE**  
 This print and its contents are the property of ITT Corporation. Use of print or its contents is prohibited unless authorized in writing.



Nominal Pipe Size	L		R	D +/- 0.12"		E		F	
SERIES 20HV, 20FR-E, 20FR16, 20FR20, 20JF, 110FW, 20C, 20HV-D									
SERIES 20HV-C, 20FR-EC, 20FR16-C, 20FR20-C, 20JF-C, 20HV(FDA)									
1"	6"	152mm	3/8"	2.75"	70mm	3.00"	76mm	2.75"	70mm
1.5"	6"	152mm	3/8"	3.25"	83mm	3.00"	76mm	3.00"	76mm
2"	6"	152mm	3/8"	3.75"	95mm	3.00"	76mm	3.25"	83mm
3"	6"	152mm	1/2"	4.88"	124mm	3.50"	89mm	4.13"	105mm
4"	6"	152mm	1/2"	5.88"	149mm	3.50"	89mm	4.63"	118mm
6"	8"	203mm	5/8"	8.13"	206mm	4.00"	102mm	6.06"	154mm
8"	10"	254mm	5/8"	10.25"	260mm	4.00"	102mm	7.13"	181mm
10"	12"	305mm	3/4"	12.50"	317mm	4.50"	114mm	8.56"	217mm
12"	12"	305mm	7/8"	14.75"	375mm	5.00"	127mm	10.00"	254mm
14"	12"	305mm	7/8"	16.95"	430mm	5.00"	127mm	11.23"	285mm
16"	12"	305mm	7/8"	19.11"	485mm	5.00"	127mm	12.31"	313mm
18"	16"	356mm	1"	21.42"	544mm	5.50"	140mm	13.77"	350mm
20"	16"	356mm	1"	23.38"	594mm	5.50"	140mm	14.75"	375mm
24"	16"	356mm	1"	27.68"	703mm	5.50"	140mm	16.90"	429mm
30"	20"	508mm	1"	33.78"	858mm	5.50"	140mm	19.72"	501mm
36"	20"	508mm	1"	40.06"	1018mm	5.50"	140mm	22.86"	581mm
42"									
48"									

0.12" to 0.20" (3 to 5mm) up to 12"ø  
 0.20 to 0.32" (5 to 8mm) 14" to 24"ø  
 0.32 to 0.42" (8 to 10.5mm) 26" to 60"ø

**FIBERBOND®**

FIBERGLASS AND ADVANCED COMPOSITE PIPING SYSTEMS

Manufactured by Specialty Plastics  
 Baton Rouge, LA, U.S.A.

www.fiberbond.com

<b>SCALE:</b>	NONE	<b>BATCH:</b>	
<b>DRAWN:</b>	KGS	<b>D072098</b>	
<b>CH'KD:</b>	KGS	<b>D072098</b>	
		<b>DRAWING:</b>	FIGURE 226
		<b>FILENAME:</b>	FIG226
<b>SUPPORT TYPE:</b>	FRP WEAR PAD W/ RUBBER COATED U-BOLT		
<b>SUPPORT GROUP:</b>	GUIDE		
<b>FIGURE NUMBER:</b>	FIGURE 226		

**REV**  
**9**

- NOTE 11. An "extra-long" L dimension of 14" (356mm) may be used up to 16"ø.
- NOTE 10. Minimum L dimensions per Fig.210 may also be used.
- NOTE 9.  $F = C + 1/2in. + 3 * R$  (or use values in table).
- NOTE 8.  $E = 4 * R + 1 1/2in.$
- NOTE 7.  $C = 0.5 * Avg O.D. + T1$  (See Fig.210 for C dimensions).
- NOTE 6.  $D = Pipe O.D. + 2 * T1 + R + 1/4in.$  (or use values in table).
- NOTE 5. T1 dimension is from T.O.S. to B.O.P.
- NOTE 4. The u-bolt shall not "anchor" the pipe.
- NOTE 3. Wear pad to be centered on structural support.
- NOTE 2. Wear pad to have minimum 120 degrees of contact (max. 180 degrees).
- NOTE 1. Saddle to be of the same material as the pipe.