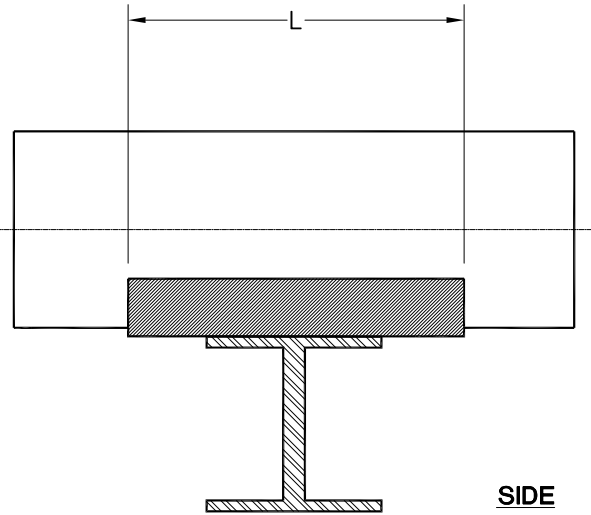
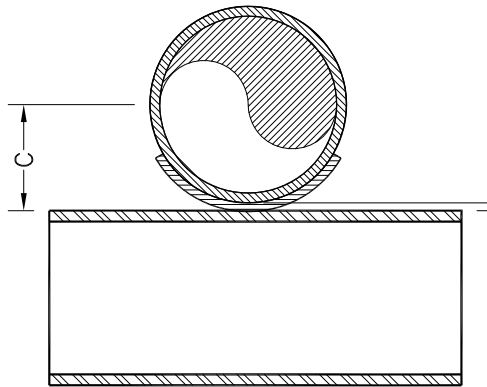


DO NOT DUPLICATE
 This print and its contents are the property of ITT Corporation. Use of print or its contents is prohibited unless authorized in writing.



SIDE



ELEV

Nominal Pipe Size	Nominal O.D.		C		L		Minimum L		Weight (lb/kg)
SERIES 20C									
1"	1.50"	38mm	0.91"	23mm	6"	152mm	4"	102mm	0.4 0.2
1.5"	2.00"	51mm	1.16"	29mm	6"	152mm	4"	102mm	0.5 0.2
2"	2.50"	64mm	1.41"	36mm	6"	152mm	4"	102mm	0.7 0.3
3"	3.50"	89mm	1.91"	49mm	6"	152mm	4"	102mm	1.0 0.5
4"	4.50"	114mm	2.41"	61mm	6"	152mm	4"	102mm	1.3 0.6
6"	6.50"	165mm	3.41"	87mm	8"	203mm	4"	102mm	2.6 1.2
8"	8.63"	219mm	4.47"	114mm	10"	254mm	4"	102mm	4.2 1.9
10"	10.63"	270mm	5.47"	139mm	12"	305mm	4"	102mm	6.3 2.9
12"	12.75"	324mm	6.53"	166mm	12"	305mm	4"	102mm	7.5 3.4
14"	15.13"	384mm	7.82"	199mm	12"	305mm	4"	102mm	8.9 4.0
16"	17.25"	438mm	8.88"	226mm	12"	305mm	4"	102mm	10.1 4.6
18"	19.38"	492mm	9.95"	253mm	16"	406mm	6"	152mm	15.1 6.9
20"	21.50"	546mm	11.01"	280mm	16"	406mm	6"	152mm	16.7 7.6
24"	25.75"	654mm	13.04"	334mm	16"	406mm	6"	152mm	20.0 9.1
30"	31.50"	800mm	16.12"	410mm	20"	508mm	8"	203mm	46.9 21.3
36"	37.75"	959mm	19.24"	489mm	20"	508mm	8"	203mm	56.1 25.5
42"	43.13"	1096mm	21.95"	557mm	24"	610mm	10"	254mm	78.3 35.6
48"	49.25"	1251mm	24.99"	635mm	24"	610mm	10"	254mm	89.4 40.6
54"									
60"	61.50"	1562mm	31.12"	790mm	24"	610mm	10"	254mm	111.4 50.6

0.20 to 0.32" (5 to 8mm) up to 24"Ø
 0.32 to 0.42" (8 to 10.5mm) 26" to 60"Ø

FIBERBOND®

FIBERGLASS AND ADVANCED COMPOSITE PIPING SYSTEMS

Manufactured by Specialty Plastics
 Baton Rouge, LA, U.S.A.

www.fiberbond.com

SCALE:	NONE	BATCH:	
DRAWN:	KGS	D102904	
CH'KD:	KGS	D102904	
		DRAWING:	FIG210-20C
		FILENAME:	FIG210-20C

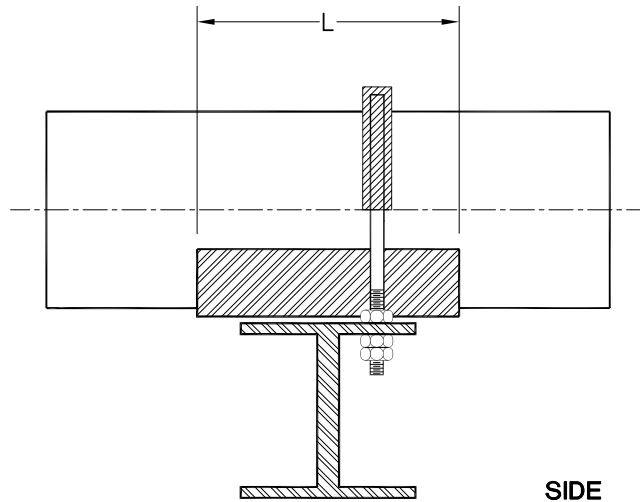
SUPPORT TYPE:	FRP WEAR PAD
SUPPORT GROUP:	ONEWAY SUPPORT
FIGURE NUMBER:	FIGURE 210 - 20C

REV
2

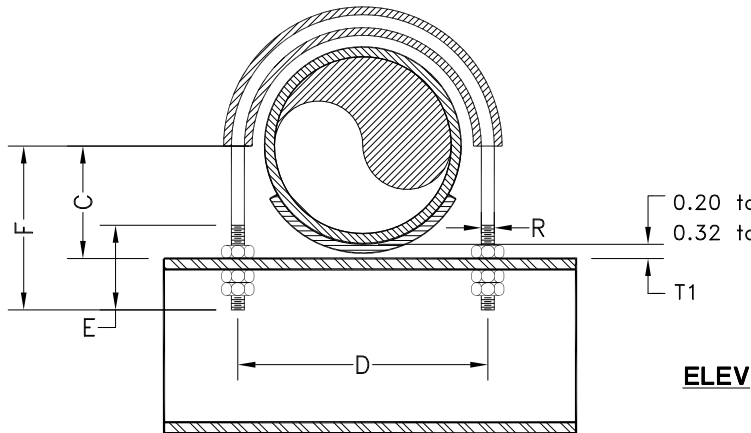
- NOTE 5. $C = 0.5 * \text{Nominal O.D.} + T1$.
- NOTE 4. T1 dimension is from T.O.S. to B.O.P.
- NOTE 3. Wear pad to be centered on structural support.
- NOTE 2. Wear pad to have minimum 120 degrees of contact (max. 180 degrees).
- NOTE 1. Wear pad to be of the same material as the pipe.

DO NOT DUPLICATE

This print and its contents are the property of ITT Corporation. Use of print or its contents is prohibited unless authorized in writing.



SIDE



ELEV

Nominal Pipe Size	L		R	D +/- 0.12"		E		F	
SERIES 20HV, 20FR-E, 20FR16, 20FR20, 20JF, 110FW, 20C, 20HV-D									
SERIES 20HV-C, 20FR-EC, 20FR16-C, 20FR20-C, 20JF-C, 20HV(FDA)									
1"	6"	152mm	3/8"	2.75"	70mm	3.00"	76mm	2.75"	70mm
1.5"	6"	152mm	3/8"	3.25"	83mm	3.00"	76mm	3.00"	76mm
2"	6"	152mm	3/8"	3.75"	95mm	3.00"	76mm	3.25"	83mm
3"	6"	152mm	1/2"	4.88"	124mm	3.50"	89mm	4.13"	105mm
4"	6"	152mm	1/2"	5.88"	149mm	3.50"	89mm	4.63"	118mm
6"	8"	203mm	5/8"	8.13"	206mm	4.00"	102mm	6.06"	154mm
8"	10"	254mm	5/8"	10.25"	260mm	4.00"	102mm	7.13"	181mm
10"	12"	305mm	3/4"	12.50"	317mm	4.50"	114mm	8.56"	217mm
12"	12"	305mm	7/8"	14.75"	375mm	5.00"	127mm	10.00"	254mm
14"	12"	305mm	7/8"	16.95"	430mm	5.00"	127mm	11.23"	285mm
16"	12"	305mm	7/8"	19.11"	485mm	5.00"	127mm	12.31"	313mm
18"	16"	356mm	1"	21.42"	544mm	5.50"	140mm	13.77"	350mm
20"	16"	356mm	1"	23.38"	594mm	5.50"	140mm	14.75"	375mm
24"	16"	356mm	1"	27.68"	703mm	5.50"	140mm	16.90"	429mm
30"	20"	508mm	1"	33.78"	858mm	5.50"	140mm	19.72"	501mm
36"	20"	508mm	1"	40.06"	1018mm	5.50"	140mm	22.86"	581mm
42"									
48"									

0.20 to 0.32" (5 to 8mm) up to 24"Ø
0.32 to 0.42" (8 to 10.5mm) 26" to 60"Ø

- NOTE 11. An "extra-long" L dimension of 14" (356mm) may be used up to 16"Ø.
- NOTE 10. Minimum L dimensions per Fig.210 may also be used.
- NOTE 9. $F = C + 1/2in. + 3 * R$ (or use values in table).
- NOTE 8. $E = 4 * R + 1 1/2in.$
- NOTE 7. $C = 0.5 * Avg O.D. + T1$ (See Fig.210 for C dimensions).
- NOTE 6. $D = Pipe O.D. + 2 * T1 + R + 1/4in.$ (or use values in table).
- NOTE 5. T1 dimension is from T.O.S. to B.O.P.
- NOTE 4. The u-bolt shall not "anchor" the pipe.
- NOTE 3. Wear pad to be centered on structural support.
- NOTE 2. Wear pad to have minimum 120 degrees of contact (max. 180 degrees).
- NOTE 1. Saddle to be of the same material as the pipe.

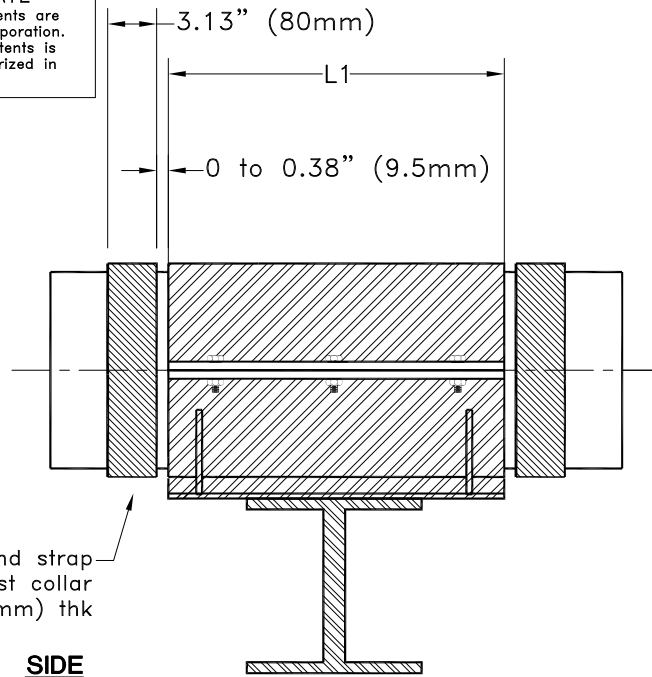
FIBERBOND®

FIBERGLASS AND ADVANCED COMPOSITE PIPING SYSTEMS
Manufactured by Specialty Plastics
Baton Rouge, LA, U.S.A.

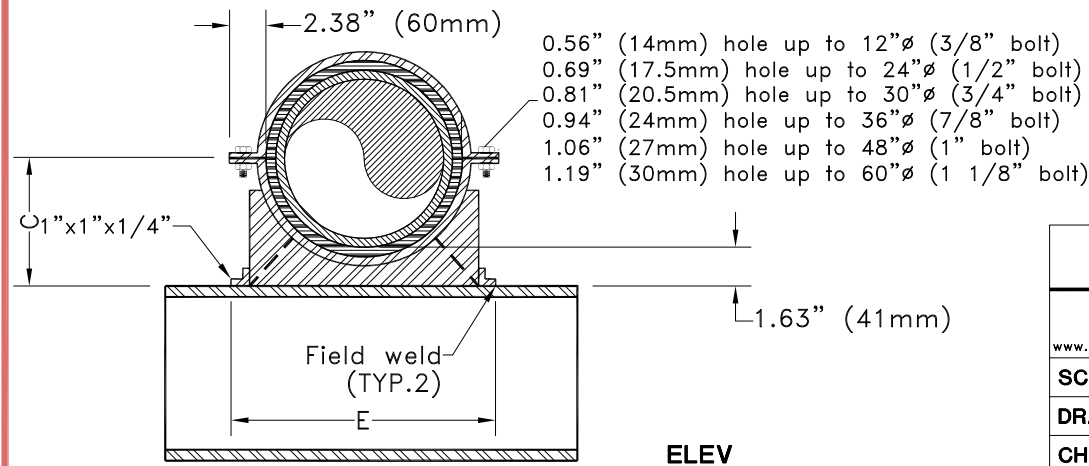
www.fiberbond.com	
SCALE: NONE	BATCH:
DRAWN: KGS	D072098
CH'KD: KGS	D072098
	DRAWING: FIGURE 226
	FILENAME: FIG226
SUPPORT TYPE:	FRP WEAR PAD W/ RUBBER COATED U-BOLT
SUPPORT GROUP:	GUIDE
FIGURE NUMBER:	FIGURE 226

REV	10
------------	----

DO NOT DUPLICATE
 This print and its contents are the property of ITT Corporation. Use of print or its contents is prohibited unless authorized in writing.



Nominal Pipe Size	Nominal O.D.		L1		C		E	
SERIES 20C								
6"	6.50"	165mm	8"	203mm	4.88"	124mm	12.00"	305mm
8"	8.63"	219mm	10"	254mm	5.94"	151mm	14.00"	356mm
10"	10.63"	270mm	12"	305mm	6.94"	176mm	16.00"	406mm
12"	12.75"	324mm	12"	305mm	8.00"	203mm	18.00"	458mm
14"	15.13"	384mm	12"	305mm	9.20"	234mm	20.25"	514mm
16"	17.25"	438mm	12"	305mm	10.26"	261mm	22.25"	565mm
18"	19.38"	492mm	16"	406mm	11.32"	288mm	24.50"	622mm
20"	21.50"	546mm	16"	406mm	12.07"	307mm	26.50"	673mm
24"	25.75"	654mm	16"	406mm	14.51"	369mm	30.75"	781mm
30"	31.50"	800mm	20"	508mm	17.38"	441mm	37.25"	946mm
36"	37.75"	959mm	20"	508mm	20.51"	521mm	43.50"	1105mm
42"	43.13"	1096mm	24"	610mm	23.20"	589mm	49.50"	1257mm
48"	49.25"	1251mm	24"	610mm	26.26"	667mm	56.00"	1422mm
54"								
60"	61.50"	1562mm	24"	610mm	32.38"	822mm	68.00"	1727mm



- NOTE 5. Average O.D. is typically 0.03" to 0.10" larger than the nominal O.D.
 NOTE 4. C = 0.5 * Nominal O.D. + 1.63in.
 NOTE 3. Steel saddle includes 1/8in. thick neoprene liner.
 NOTE 2. 1.63in. (41mm) dimension is from T.O.S to B.O.P.
 NOTE 1. Thrust collar may need to be larger depending upon design conditions.

FIBERBOND®

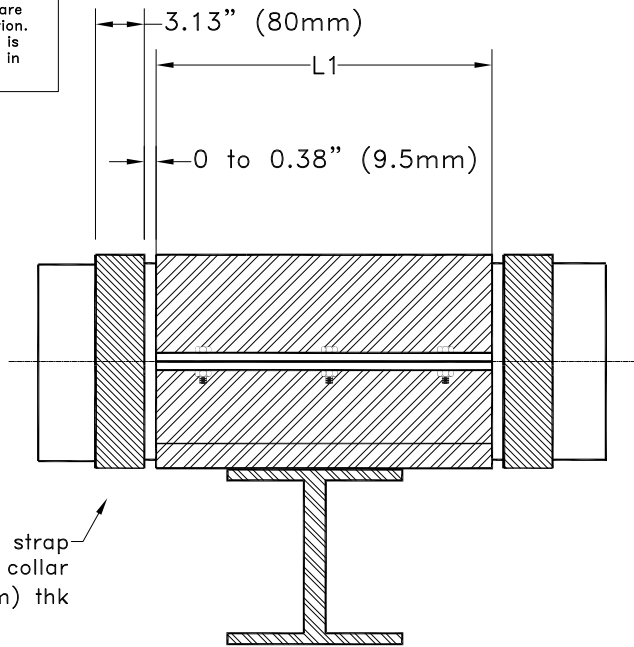
FIBERGLASS AND ADVANCED COMPOSITE PIPING SYSTEMS
 Manufactured by Specialty Plastics
 Baton Rouge, LA, U.S.A.

www.fiberbond.com

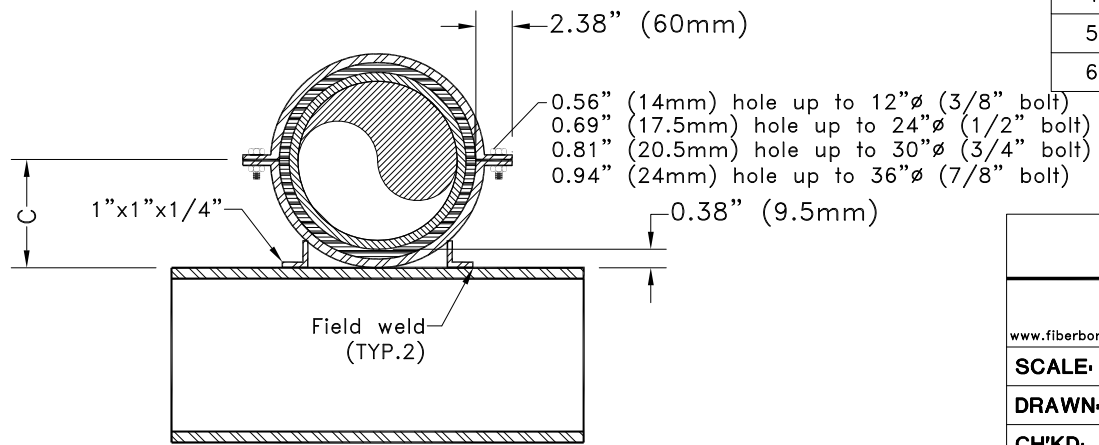
SCALE:	NONE	BATCH:	
DRAWN:	KGS	D102904	
CH'KD:	KGS	D102904	
		DRAWING:	FIG230 - 20C
		FILENAME:	FIG230 - 20C
SUPPORT TYPE:	STEEL ANCHOR W/ FRP THRUST COLLARS		
SUPPORT GROUP:	ANCHOR		
FIGURE NUMBER:	FIGURE 230 - 20C		

REV	1
------------	----------

DO NOT DUPLICATE
 This print and its contents are the property of ITT Corporation. Use of print or its contents is prohibited unless authorized in writing.



SIDE



ELEV

- NOTE 5. Average O.D. is typically 0.03" to 0.10" larger than the nominal O.D.
- NOTE 4. C = 0.5 * Nominal O.D. + 0.38in.
- NOTE 3. Steel saddle includes 1/8in. thick neoprene liner.
- NOTE 2. 0.38in. (9.5mm) dimension is from T.O.S. to B.O.P.
- NOTE 1. Thrust collar may need to be larger depending upon design conditions.

Nominal Pipe Size	Nominal O.D.		L1		C	
SERIES 20C						
2"	2.50"	64mm	6"	152mm	1.63"	41mm
3"	3.50"	89mm	6"	152mm	2.13"	54mm
4"	4.50"	114mm	6"	152mm	2.63"	67mm
6"	6.50"	165mm	8"	203mm	3.63"	92mm
8"	8.63"	219mm	10"	254mm	4.70"	119mm
10"	10.63"	270mm	12"	305mm	5.70"	145mm
12"	12.75"	324mm	12"	305mm	6.76"	172mm
14"	15.13"	384mm	12"	305mm	7.95"	202mm
16"	17.25"	438mm	12"	305mm	9.00"	229mm
18"	19.38"	492mm	16"	406mm	10.06"	256mm
20"	21.50"	546mm	16"	406mm	11.13"	283mm
24"	25.75"	654mm	16"	406mm	13.25"	337mm
30"	31.50"	800mm	20"	508mm	16.13"	410mm
36"	37.75"	959mm	20"	508mm	19.25"	489mm
42"	43.13"	1096mm				
48"	49.25"	1251mm				
54"						
60"	61.50"	1562mm				

FIBERBOND®
 FIBERGLASS AND ADVANCED COMPOSITE PIPING SYSTEMS
 Manufactured by Specialty Plastics
 Baton Rouge, LA, U.S.A.

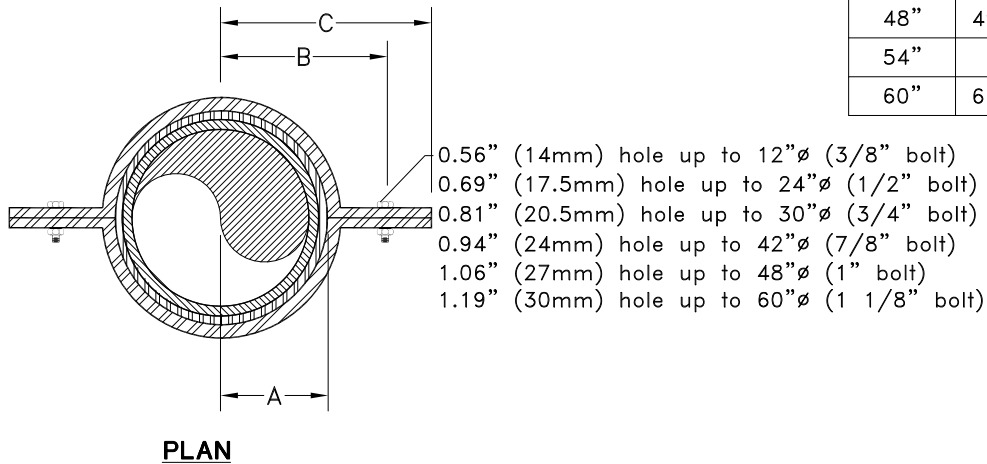
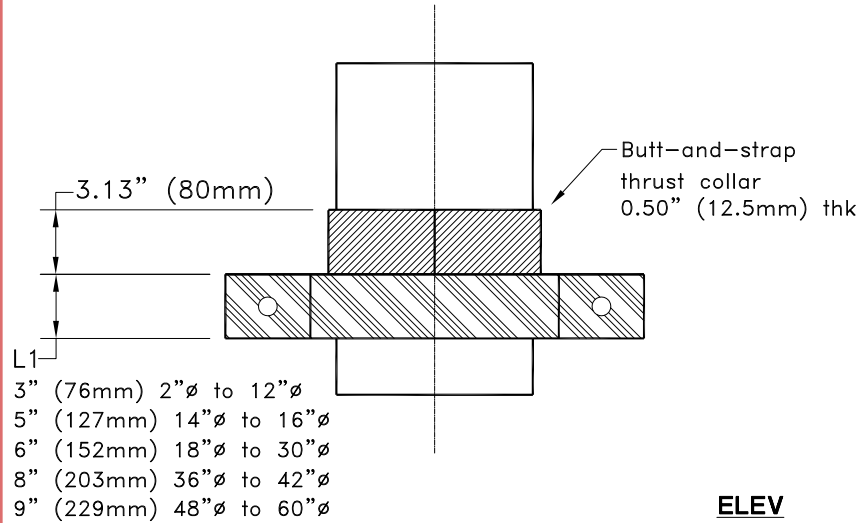
www.fiberbond.com

SCALE:	NONE	BATCH:	
DRAWN:	KGS	D102904	
CH'KD:	KGS	D102904	
		DRAWING:	FIG232 - 20C
		FILENAME:	FIG232 - 20C
SUPPORT TYPE:	SMALL STEEL SHOE W/ THRUST COLLARS		
SUPPORT GROUP:	ANCHOR		
FIGURE NUMBER:	FIGURE 232 - 20C		

REV	1
------------	----------

DO NOT DUPLICATE

This print and its contents are the property of ITT Corporation. Use of print or its contents is prohibited unless authorized in writing.



- NOTE 5. 'A' dimension is from pipe centerline to neoprene/steel interface.
- NOTE 4. $A = 0.5 * \text{Nominal O.D.} + 0.13\text{in.}$
- NOTE 3. $B = 0.5 * \text{Nominal O.D.} + 1.75\text{in.}; C = B + 1.25\text{in.}$
- NOTE 2. Steel saddle includes 1/8in. thick neoprene liner.
- NOTE 1. A separate bonded collar (two halves) may also be used.

Nominal Pipe Size	Nominal O.D.		A		B		C	
SERIES 20C								
2"	2.50"	64mm	1.38"	35mm	3.00"	76mm	4.25"	108mm
3"	3.50"	89mm	1.88"	48mm	3.50"	89mm	4.75"	121mm
4"	4.50"	114mm	2.38"	60mm	4.00"	102mm	5.25"	133mm
6"	6.50"	165mm	3.38"	86mm	5.00"	127mm	6.25"	159mm
8"	8.63"	219mm	4.44"	113mm	6.06"	154mm	7.31"	186mm
10"	10.63"	270mm	5.44"	138mm	7.06"	179mm	8.31"	211mm
12"	12.75"	324mm	6.50"	165mm	8.12"	206mm	9.38"	238mm
14"	15.13"	384mm	7.70"	196mm	9.32"	237mm	10.57"	268mm
16"	17.25"	438mm	8.76"	222mm	10.38"	264mm	11.63"	295mm
18"	19.38"	492mm	9.82"	249mm	11.44"	291mm	12.69"	322mm
20"	21.50"	546mm	10.88"	276mm	12.19"	310mm	13.44"	341mm
24"	25.75"	654mm	13.00"	330mm	14.63"	372mm	15.88"	403mm
30"	31.50"	800mm	15.88"	403mm	17.50"	444mm	18.75"	476mm
36"	37.75"	959mm	19.00"	483mm	20.63"	524mm	21.88"	556mm
42"	43.13"	1096mm	21.70"	551mm	23.32"	592mm	24.57"	624mm
48"	49.25"	1251mm	24.76"	629mm	26.38"	670mm	27.63"	702mm
54"								
60"	61.50"	1562mm	30.88"	784mm	32.50"	826mm	33.75"	857mm

FIBERBOND®

FIBERGLASS AND ADVANCED COMPOSITE PIPING SYSTEMS

Manufactured by Specialty Plastics

Baton Rouge, LA, U.S.A.

www.fiberbond.com

SCALE:	NONE	BATCH:	
DRAWN:	KGS	D061095	
CH'KD:	KGS	C061195	
		DRAWING:	FIG240-20C
		FILENAME:	FIG240-20C
SUPPORT TYPE:	RISER CLAMP W/ THRUST COLLARS		
SUPPORT GROUP:	VERTICAL RISER		
FIGURE NUMBER:	FIGURE 240-20C		

REV

0

DO NOT DUPLICATE
 This print and its contents are the property of ITT Corporation. Use of print or its contents is prohibited unless authorized in writing.

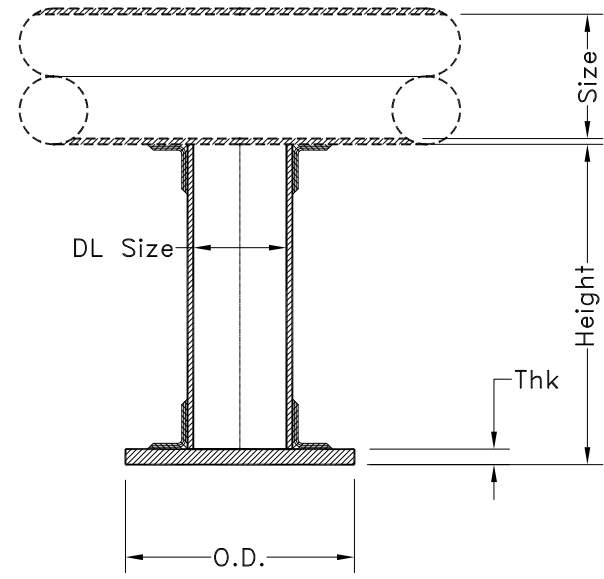


FIG.91 (shop fab'd to a tee or pipe)

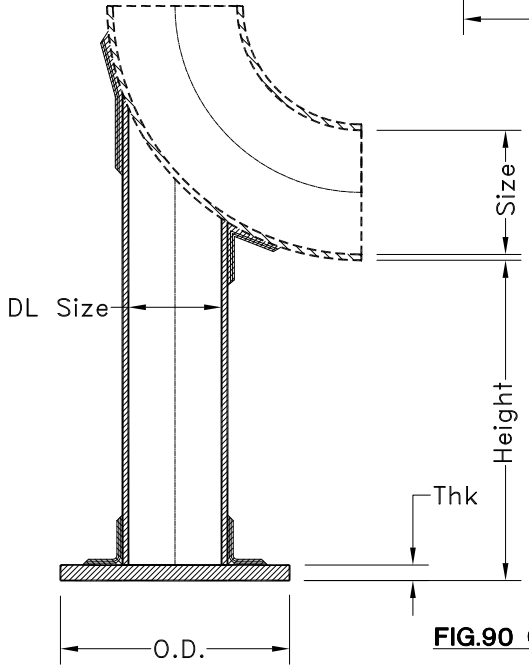


FIG.90 (shop fab'd to an elbow)

NOTE 4. Fig.90 and Fig.91 are identical except Fig.91 is on a tee or pipe.
 NOTE 3. Maximum recommended length of dummy leg is 3'-0" (914mm).
 NOTE 2. Plate to be shipped loose and field installed. 6" of trim to be included.
 NOTE 1. Dummy leg to be of the same material as the pipe.

Nominal Pipe Size	DL Size	O.D.		Thk	
2"	2"	5"	127mm	1/2"	12.5mm
3"	2"	5"	127mm	1/2"	12.5mm
4"	3"	6"	152mm	1/2"	12.5mm
6"	4"	7"	178mm	1/2"	12.5mm
8"	6"	9"	229mm	1/2"	12.5mm
10"	6"	9"	229mm	1/2"	12.5mm
12"	8"	12"	305mm	1/2"	12.5mm
14"	10"	14"	356mm	1/2"	12.5mm
16"	12"	16"	406mm	1/2"	12.5mm
18"	14"	18"	457mm	1/2"	12.5mm
20"	18"	22"	559mm	1/2"	12.5mm
24"	18"	22"	559mm	1/2"	12.5mm
30"	24"	28"	711mm	3/4"	19mm
36"	24"	28"	711mm	3/4"	19mm
42"	36"	40"	1016mm	3/4"	19mm
48"	36"	40"	1016mm	3/4"	19mm
54"					
60"	48"	52"	1321mm	3/4"	19mm

FIBERBOND®
 FIBERGLASS AND ADVANCED COMPOSITE PIPING SYSTEMS
 Manufactured by Specialty Plastics
 Baton Rouge, LA, U.S.A.

www.fiberbond.com

SCALE: NONE	BATCH:	
DRAWN: KGS	D102904	
CH'KD: KGS	D102904	
	DRAWING: FIGURE 90	
	FILENAME: FIG90	
SUPPORT TYPE:	FRP "DUMMY LEG"	
SUPPORT GROUP:	DUMMY LEG	
FIGURE NUMBER:	FIGURE 90 - ALL SERIES	

REV
1